

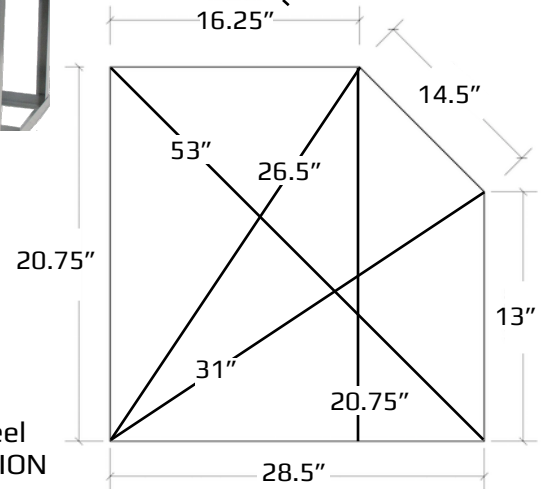


Made in the USA
www.cycloneblasters.com

Includes DC1500
Dust Collector



Side Door Dimensions



16 Gauge Welded Steel
STURDY CONSTRUCTION

MODEL FT 6035

Cabinet Details

Overall Dimensions	65" (h) x 65" (w) x 46" (d)
Working Dimensions	30" (h) x 60" (w) x 35" (d)
Window	46" (w) x 13" (h) Acrylic
Construction	Welded 16 Gauge Steel
Blast System	25 CFM @ 70-90 PSI
Blaster Operation	Foot Pedal Operated
Gloves	24" Long Unlined
Electrical	110 Volts
Side Door	See Schematic Above
Weight	425 US Pounds

The FT 6035 is one of our most popular units. It offers a huge cabinet interior. It includes a powerful 90 CFM dust collector to improve visibility inside the cabinet.

Cyclone abrasive blasting cabinets are constructed from high quality components, then sealed and painted to prevent leaks and protect the finish. The interior of the view window includes a protective layer to prolong its life.

Welded steel makes for a sturdy cabinet capable of handling heavy items. A foot pedal activated blast gun with a tungsten carbide nozzle produces a powerful 25 CFM. This makes quick work of almost any project.

Our headquarters is in Michigan and we proudly label our products Made in the USA. Our customer service is ready to help you before or after a purchase.

With budgets in mind, we produce quality that won't hit your bottom line.

PO BOX 815 Dowagiac, Michigan 49047 — 269-782-9670 — info@cycloneblasters.com