

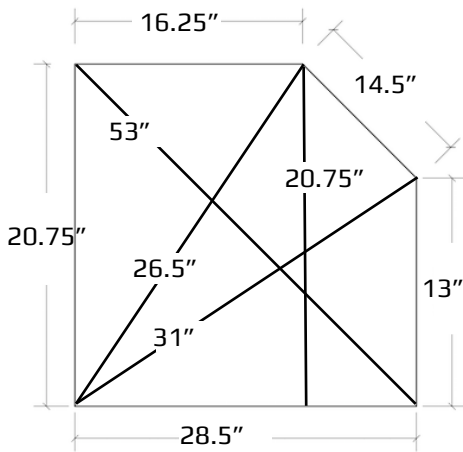


Made in the USA  
[www.cycloneblasters.com](http://www.cycloneblasters.com)

## DUAL WORKSTATION

- Two Sets of Gloves
- Two Foot Pedals
- Two blast guns
- Tungsten Carbide Nozzles

### Side Door Dimensions



## MODEL DWS 6035

## Cabinet Details

Overall Dimensions	60" (h) x 65" (w) x 36" (d)
Working Dimensions	27" (h) x 60" (w) x 35" (d)
Window	46" (w) x 13" (h) Acrylic
Construction	Welded 16 Gauge Steel
Blast System	2 x 25 CFM @ 70-90 PSI
Blaster Operation	1 x Foot Pedal Operated
Gloves	2 x 24" Long Unlined
Electrical	110 Volts
Side Door	16" (w) x 19" (h)
Weight	395 US Pounds

The DWS 6035 is a dual workstation. It includes a powerful 90 CFM dust collector to improve visibility inside the cabinet. Also included are tungsten carbide nozzles.

Cyclone abrasive blasting cabinets are constructed from high quality components, then sealed and painting to prevent leaks and protect and shine.

Welded steel makes for a sturdy cabinet capable of handling heavy items. A foot activated blast gun with a tungsten carbide nozzle produces a powerful 25 CFM. This makes quick work of almost any project.

Our headquarters is in Michigan and we proudly label our products Made in the USA. Our customer service is ready to help you before or after a purchase.

*With budgets in mind, we produce quality that won't hit your bottom line.*

PO BOX 815 Dowagiac, Michigan 49047 — 269-782-9670 — [info@cycloneblasters.com](mailto:info@cycloneblasters.com)