



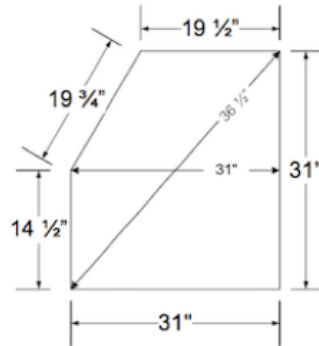
Made in the USA
www.cycloneblasters.com



Includes DC1500 Dust Collector

DUAL SIDE DOORS

Side Door Dimensions



16 Gauge Welded Steel
STURDY CONSTRUCTION



MODEL A4800

Cabinet Details

Overall Dimensions	70" (h) x 53" (w) x 36.5" (d)
Working Dimensions	36" (h) x 48" (w) x 36" (d)
Window	25" (w) x 10" (h) Acrylic
Construction	Welded 16 Gauge Steel
Blast System	25 CFM @ 80-90 PSI
Blaster Operation	Foot Pedal Operated
Gloves	24" Long Unlined
Electrical	110 Volts
Dual Side Doors	See Schematic Above
Weight	350 US Pounds

The A4800 offers has two large side doors and huge capacity inside. It includes a powerful 90 CFM dust collector to improve visibility inside the cabinet.

Cyclone abrasive blasting cabinets are constructed from high quality components, then sealed and painted to prevent leaks and protect the finish. The interior of the view window includes a protective layer to prolong its life.

Welded steel makes for a sturdy cabinet capable of handling heavy items. A foot pedal activated blast gun with a ceramic nozzle produces a powerful 14 CFM. This makes quick work of almost any project.

Our headquarters is in Michigan and we proudly label our products Made in the USA. Our customer service is ready to help you before or after a purchase.

With budgets in mind, we produce quality that won't hit your bottom line.

PO BOX 815 Dowagiac, Michigan 49047 — 269-782-9670 — info@cycloneblasters.com